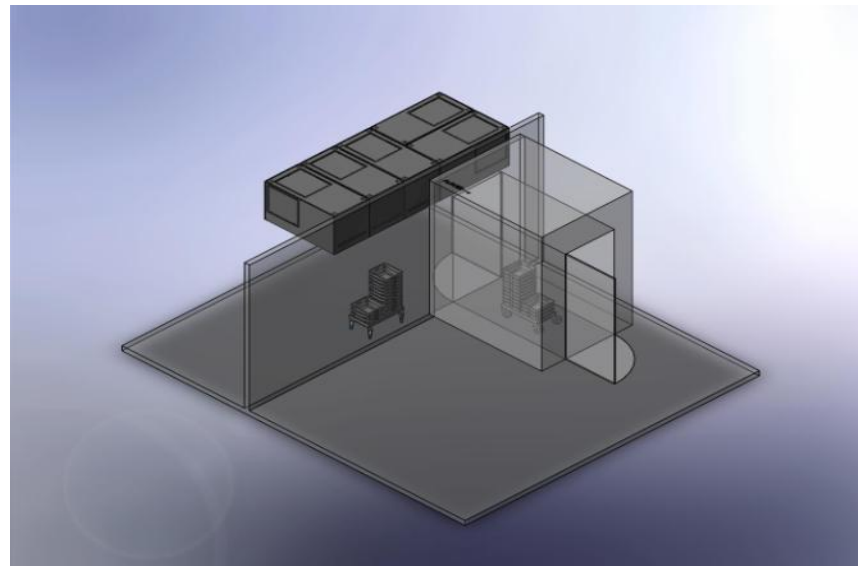


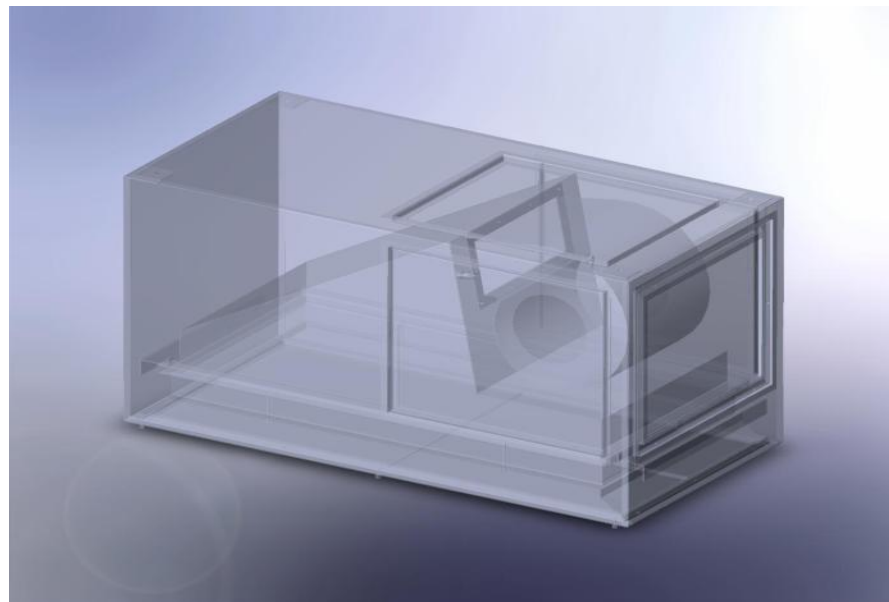
Downflow module



Why downflow module?

- Standard UDF module
- To minimize the number of filter leaks
- For a clean process, f.ex. filling bottles

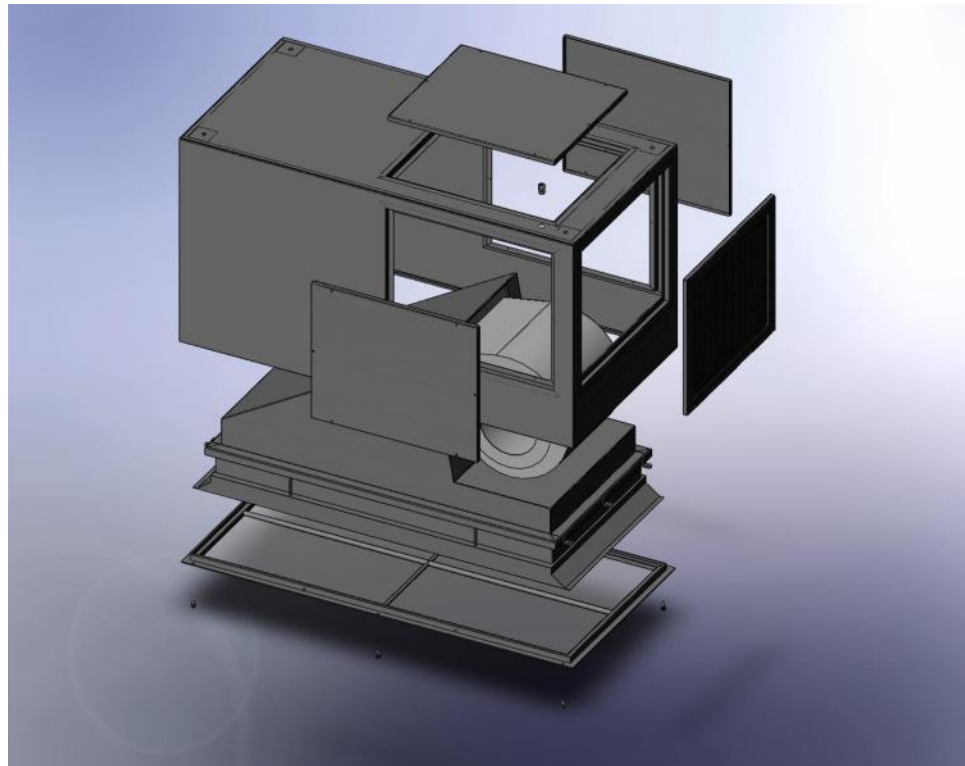
Downflow module



Presentation of our solution

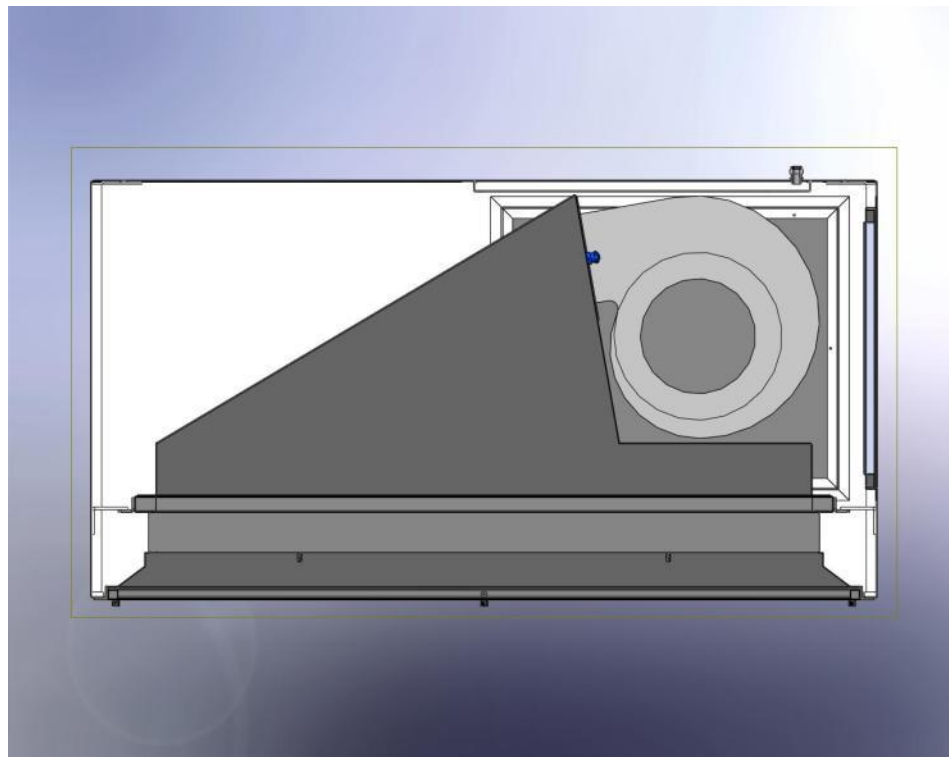
- We have developed a flow module to ensure the clean areas in front of the autoclave or freeze dryers, over filling lines, over capping lines etc.
- It is designed as a "LEGO" module. The width is half the length. In this way we can build the areas, which the customers require without ending up in expensive special projects

Downflow module



- Designed to be simple and cheap but still very reliable

Downflow module



- Designed with negative pressure chamber